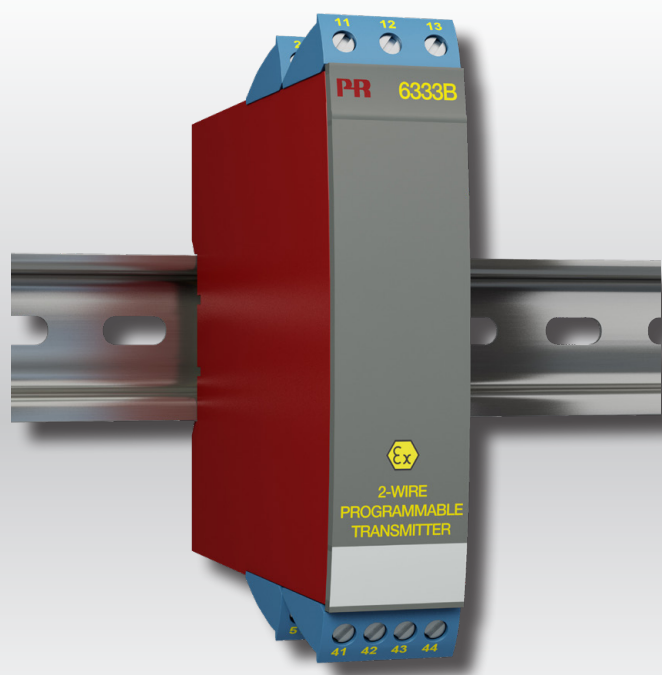


PERFORMANCE
MADE
SMARTER

产品手册

6333

二线制可编程变送器



温度

安全栅

通讯接口

多功能

隔离器

数显表

No. 6333V107-CN
自此序列号始: 212340108

PR
electronics

6 大特色产品

满足您的一切需求

单品出色·组合无敌

凭借创新型专利技术·信号调节更加简单·智能·产品组合由六大产品类组成·具备多种模拟量和数字量模块·涵盖上千种工业自动化应用·所有产品都符合甚至高于行业的最高标准·这可确保产品即便在最恶劣的环境条件下仍能可靠运行·5 年产品保修期·让您使用更安心·



Temperature

温度变送器和温度传感器系列产品·提供从温度测量点到系统控制一站式信号解决方案·从而在最大程度上保证信号的完整性·仅需一套点对点解决方案·您就可以在任何环境中将工业过程中的温度信号转换为模拟量信号·总线信号或数字通讯信号·该方案具备响应时间短·自动校准·传感器故障检测·低漂移和卓越 EMC 性能等诸多优点·



I.S. Interface

我们采用最严格的安全标准来检验产品·以期提供最安全的信号·秉承创新精神·我们已经在 SIL 2 全面评估本质安全型接口方面取得了开创性成就·其既高效又经济·效果卓著·成效斐然·模拟量和数字量本质安全栅种类齐全·同时提供多种输入输出·这使得 PR 标准成为一项易于实施的现场检验标准·在大型项目安装过程中·新背板方案大大简化安装和布线·且能与标准 DCS 系统无缝集成·



Communication

我们提供经济实惠·使用方便·面向未来的通讯接口·以便您能够访问所安装的 PR 产品·所有接口均可拆卸·并带有屏幕和按钮·可以显示过程值/诊断值和对参数进行配置·产品特定功能包括通过 Modbus 和蓝牙进行通讯·以及使用我们的 PR 过程主管 (PPS) 应用程序进行远程访问·适用于 iOS 和 Android 等终端·



Multifunction

单品为多功能系列产品·可涵盖大量现场应用·可轻而易举按照您的现场标准进行配置·此种单品可适用多种应用方式·既节省安装和培训时间·又大大简化库存备件管理·该设备专为长期信号精度高·功耗低·抗电噪声优异·编程简单而设计·



Isolation

基于微处理器技术研发的 6 mm 隔离器·小巧精致·响应迅速·品质一流·以极低的总拥有成本为专用应用提供卓越性能和抗电磁干扰·可水平或垂直安装·装置间无需间隙·



Display

数显表系列以其灵活性和稳定性著称·该设备系列几乎满足过程信号读数显示的所有需求·并具有通用的输入和供电能力·无论哪种行业·无论环境条件何其苛刻·该设备均能实时测量过程值并提供用户友好型界面和值得信赖的继电器信号·

二线制可编程变送器 6333

目录

应用.....	4
技术特点.....	4
安装调试.....	4
应用.....	4
订购.....	5
电气规格.....	5
接线方式.....	7
方框图.....	7
设置参数.....	8
ATEX 安装图 - 6333A.....	9
ATEX 安装图 - 6333B.....	11
IECEx Installation Drawing - 6333A.....	13
IECEx Installation Drawing - 6333B.....	15
CSA Installation Drawing - 6333A.....	17
CSA Installation Drawing - 6333B.....	19
FM Installation Drawing - 6333B.....	21
文档更新记录.....	23

二线制可编程变送器 6333

- RTD 或 Ohm 信号输入
- 高测量精度
- 3-线输入连接
- 可设定传感器故障状态
- 单/双通道版本

应用

- Pt100...Pt1000 或 Ni100...Ni1000 传感器线性化温度测量。
- 转换线性电阻阻值变化为标准模拟量电流信号·例如: 阀信号·或欧姆输出液位计。

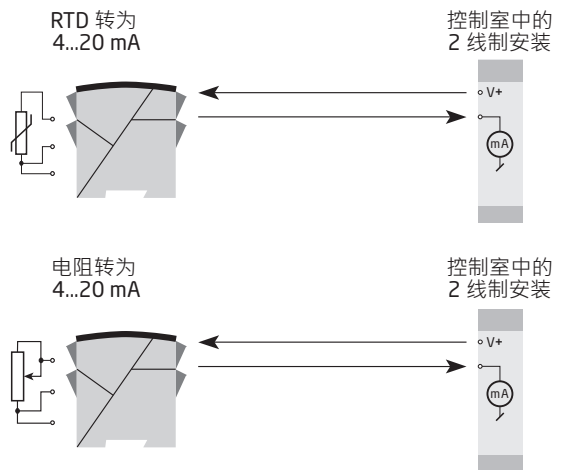
技术特点

- 参数设定简单方便。
- 3-线 RTD 和电阻输入电缆自动补偿。
- 输出信号限值可设定

安装调试

- 标准垂直或水平 DIN 导轨安装。选用双通道版本时·每米 DIN 导轨可以实现多达84个通道。
- 6333A 可以安装于 zone 2 和 zone 22 / Class I、Division 2、Groups A、B、C、D 区域。
- 6333B 可以安装于 zone 0, 1, 2 和 zone 21, 22 以及 M1 / Class I, Division 1, Groups A, B, C, D 区域。

应用



订购

型号	版本	电气隔离	通道
6333	Zone 2 · 22 / Div. 2 : A	无 : 1	单通道 : A
	Zone 0 · 1 · 2 · 20 · 21 · 22 · M1 / DIV.1 · DIV.2 : B		双通道 : B

电气规格

环境条件:

规格温度范围	-40°C 至 +85°C
存储温度	-40°C 至 +85°C
标定温度	20...28°C
湿度	< 95% RH (无冷凝)
防护等级	IP20

机械规格:

结构尺寸 (高x宽x深)	109 x 23.5 x 104 mm
重量 (单/双通道)	145 / 185 g
DIN 导轨类型	DIN EN/IEC 60715 - 35 mm
导线规格	0.13...2.08 mm ² / AWG 26...14 绞线
螺丝端子扭矩	0.5 Nm

常用规格:

电源电压 · DC	
6333A	8...35 VDC
6333B	8...30 VDC
最大需用功率 · 单/双通道 · 6333A	0.8 W / 1.6 W
最大需用功率 · 单/双通道 · 6333B	0.7 W / 1.4 W
内部功率耗散 · 6333A	0.19...0.8 W
内部功率耗散 · 6333B	0.19...0.7 W
电压降	8 VDC
预热时间	5 分钟
通信接口	Loop Link
信噪比	最低 60 dB
响应时间 (可设定)	0.33...60 s
信号动态范围 · 输入	19 位
信号动态范围 · 输出	16 位
电源电压变化的影响	< 0.005% 所设量程 / VDC
精度 · 一般值和基本值中较大的一个:	

一般值		
输入类型	绝对精度	温度系数
所有	≤ ±0.1% 所设量程	≤ ±0.01% 所设量程/°C

基本值		
输入类型	基本精度	温度系数
RTD	≤ ±0.3°C	≤ ±0.01°C/°C
线性电阻	≤ ±0.2 Ω	≤ ±20 mW / °C

EMC – 抗扰性影响	< ±0.5% 所设量程
-------------	--------------

电气规格·输入:

最大偏移量 所设量程高值的 50%

RTD 和线性电阻输入:

RTD 类型	最小值	最大值	最小量程	标准
Pt100	-200°C	+850°C	25°C	IEC 60751
Ni100	-60°C	+250°C	25°C	DIN 43760
线性电阻	0 Ω	10000 Ω	30 Ω	-----

单根导线电缆电阻 (最大) 10 Ω
 传感器电流 > 0.2 mA, < 0.4 mA
 传感器电缆电阻的影响 (3 线) < 0.002 Ω / Ω
 传感器故障检测 是

输出:**电流输出:**

信号范围 4...20 mA
 最小信号范围 16 mA
 更新时间 135 ms
 负载电阻 $\leq (V_{\text{电源}} - 8) / 0.023 [\Omega]$
 负载稳定性 < ±0.01% 所设量程 / 100 Ω

传感器故障检测:

可设定 3.5...23 mA
 NAMUR NE43 上限 23 mA
 NAMUR NE43 下限 3.5 mA

所设量程 = 当前设定的量程范围

遵守主机关要求:

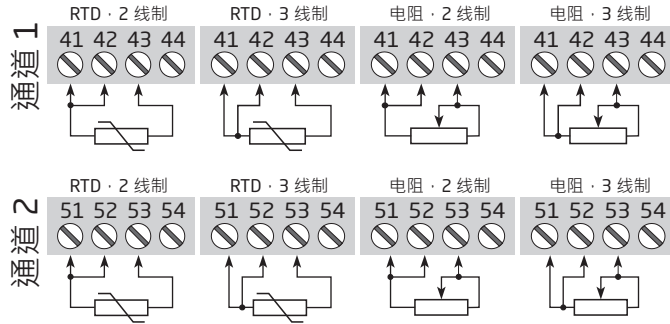
EMC 2014/30/EU & UK SI 2016/1091
 ATEX 2014/34/EU & UK SI 2016/1107
 RoHS 2011/65/EU & UK SI 2012/3032
 EAC TR-CU 020/2011
 EAC Ex TR-CU 012/2011

本质安全/防爆认证:

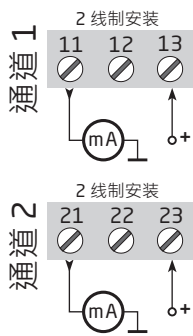
6333A:
 ATEX DEKRA 20ATEX0106 X
 6333B:
 ATEX DEKRA 20ATEX0105 X
 FM FM17US0013X
 6333A & 6333B:
 IECEx DEK 20.0062X
 CSA 1125003
 EAC Ex RU C-DK.HA65.B.00355/19

接线方式

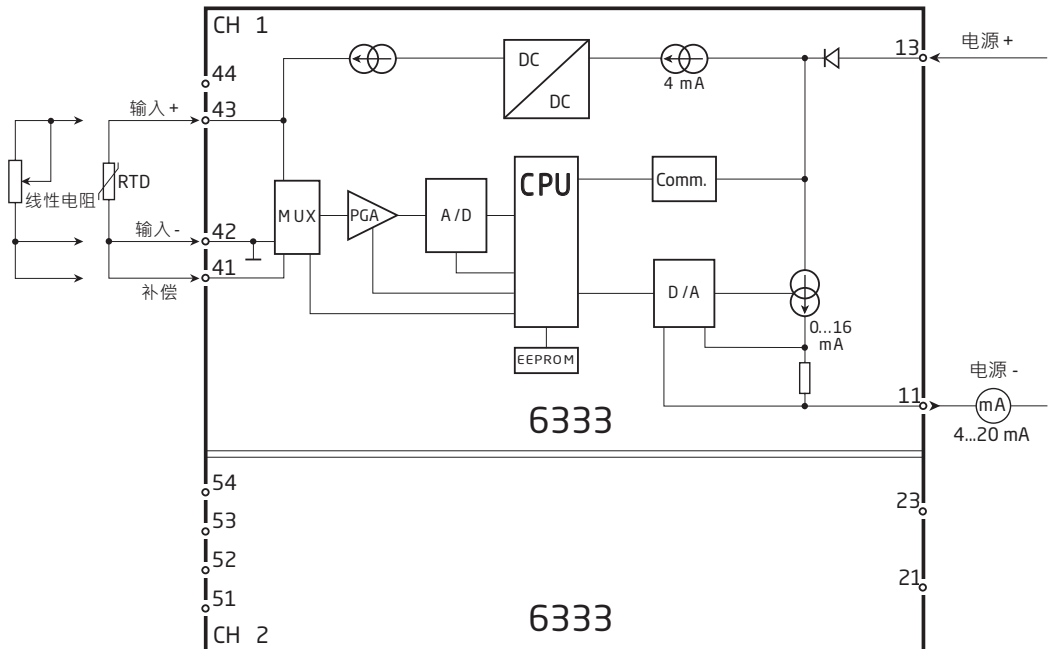
输入：



输出：

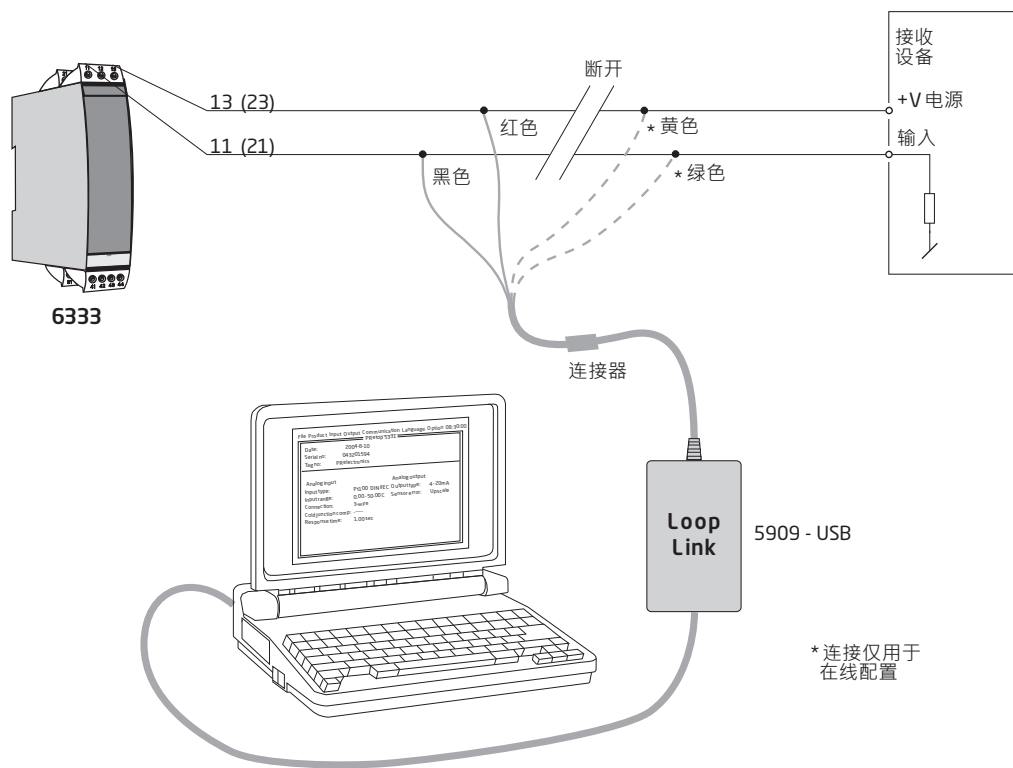


方框图



设置参数

- Loop Link 是 6333 配置所需的通信接口。
- 有关配置，请参考下图和 PReset 中的帮助功能。
- 与未安装的设备进行通信时，可在安全区域拆卸连接器 11、12、13 (通道 1) 和 21、22、23 (通道 2)，以便将通信接口端子连接至针脚。
- Loop link 不允许与安装在危险 (Ex) 区域中的装置进行通信。



ATEX 安装图 6333QA02-V3R0

为安全安装 6333A，必须遵守以下规定。该模块仅由熟悉适用于该地区国家和国际法律、指令和标准的合格专业人员安装。设备制造年份由序列号的前两位数字指示。

ATEX 认证 DEKRA 20ATEX0106 X

标记牌



II 3 G Ex nA [ic] IIC T6 ... T4 Gc
 II 3 G Ex ec [ic] IIC T6 ... T4 Gc
 II 3 G Ex ic IIC T6 ... T4 Gc
 II 3 D Ex ic IIIC Dc

标准

EN 60079-0: 2018, EN 60079-11: 2012,
 EN 60079-15: 2010, EN 60079-7:2015 +A1: 2018

端子 41,42,43 51,52,53	端子 11,12,13 21,22,23	端子 11,12,13 21,22,23	端子 11,12,13 21,22,23
Ex ic IIC, Ex ic IIIC	Ex ic IIC, Ex ic IIIC	Ex ic IIC, Ex ic IIIC	Ex nA, Ex ec
Uo: 5 V Io: 4 mA Po: 20 mW Lo: 900 mH Co: 1000 μ F	Ui = 35 V Ii = 110 mA Ci = 6.2 nF Li = 10 μ H	Ui = 24 V Ii = 260 mA Ci = 6.2 nF Li = 10 μ H	Umax ≤ 35 VDC 或 Umax ≤ 24 VDC

Ex ic IIC, Ex ic IIIC 温度等级	环境温度范围	
	Ui=35 V	Ui=24 V
T6	-40°C 至 +54°C	-40°C 至 +63°C
T5	-40°C 至 +69°C	-40°C 至 +78°C
T4	-40°C 至 +85°C	-40°C 至 +85°C

Ex ec, Ex nA 温度等级	环境温度范围	
	Vmax=35 V	Vmax=24 V
T6	-40°C 至 +43°C	-40°C 至 +55°C
T5	-40°C 至 +85°C	-40°C 至 +85°C
T4	-40°C 至 +85°C	-40°C 至 +85°C

安装说明

如果外壳由非金属塑料材料制成，应避免变压器外壳上的静电荷。

如果变压器安装在需要使用设备保护级别 Gc 的爆炸性环境中并应用 Ex ic 保护类型，则变压器应安装在可根据 EN 60529 提供至少 IP20 防护等级的外壳中，并且适合应用并正确安装。

如果变压器安装在需要使用设备保护等级 Dc 的爆炸性环境中，则变压器应安装在单独认证的外壳中，该外壳可根据 EN 60079-0 提供至少 IP5X 的防护等级，并且适合应用并正确安装。外壳的表面温度比环境温度高 +20 K，确定没有灰尘层。

环境温度范围: -40°C 至 +85°C.

如果变压器安装在需要使用设备保护级别 Gc 的爆炸性环境中并应用 Ex nA 或 Ex ec 保护类型，则变压器应安装在单独认证的外壳中，该外壳可根据 EN 60079-0 提供至少 IP54 的防护等级，并且适合应用并正确安装。

如果变压器安装在需要使用设备保护级别 Gc 的爆炸性环境中并应用 Ex nA 或 Ex ec 保护类型，则该设备只能在不超过 EN 60664-1 中定义的污染等级 2 的区域中使用。

ATEX 安装图 6333QA01-V3R0



为安全安装 6333Bxx，必须遵守以下规定。该模块仅由熟悉适用于该地区国家和国际法律、指令和标准的合格专业人员安装。设备制造年份由序列号的前两位数字指示。

ATEX 认证

DEKRA 20ATEX0105 X

标记牌



II 1 G Ex ia IIC T6...T4 Ga

II 2 D Ex ia IIIC Db

I M1 Ex ia I Ma

标准

EN IEC 60079-0: 2018, EN 60079-11: 2012

危险区

Zone 0, 1, 2, 21, 22

非危险区

端子：

41,42,43

Uo: 30 VDC

Io: 8 mA

Po: 60 mW

Lo: 35 mH

Co: 60.8 nμ F

端子：

51,52,53

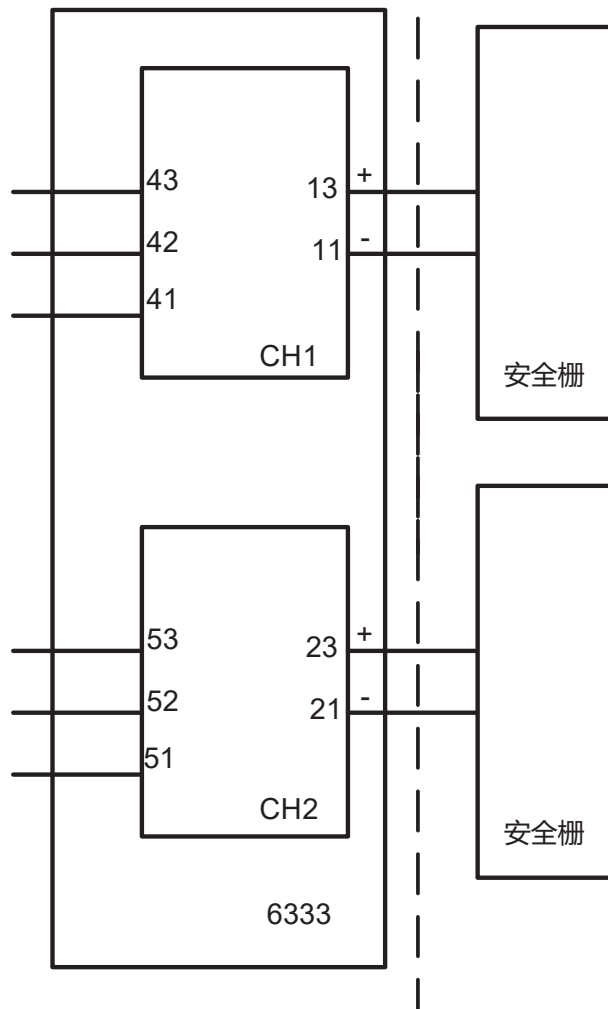
Uo: 30 VDC

Io: 8 mA

Po: 60 mW

Lo: 35 mH

Co: 60.8 nμ F



端子：

11,13 和

21,23

Ui: 30 VDC

Ii: 120 mA

Pi: 0.84 W 或

Pi: 0.75 W

Li: 10 μ H

Ci: 6.2 nF

温度等级	环境温度范围	
	Pi: 0.84 W	Pi: 0.75 W
T6	-40°C 至 +40°C	-40°C 至 +45°C
T5	-40°C 至 +55°C	-40°C 至 +60°C
T4	-40°C 至 +85°C	-40°C 至 +85°C

安装说明

如果外壳由非金属塑料材料制成，应避免变送器外壳上的静电荷。

如果变送器安装在需要使用设备保护级别 Ga 的爆炸性环境中，则变送器应安装在可根据 EN 60529 提供至少 IP20 防护等级的外壳中，并且适合应用并正确安装。

如果变送器安装在需要使用设备防护等级 Ga 或 Ma 的爆炸性环境中，并且如果外壳是铝制的，则必须将其安装在能避免因冲击和摩擦火花而形成点火源的位置。

如果变送器安装在需要使用设备保护等级 Db 的爆炸性环境中，则变送器应安装在单独认证的外壳中，该外壳可根据 EN 60079-0 提供至少 IP5X 的防护等级，并且适合应用并正确安装。

如果变送器安装在需要使用设备保护等级 Ma 的爆炸性环境中，则变送器应安装在可根据 EN 60529 提供至少 IP54 防护等级的外壳中，并且适合应用并正确安装。

应使用适用于相关应用和正确安装的电缆封口和堵封件。

若环境温度 $\geq 60^{\circ}\text{C}$ ，则应使用耐热电缆，其额定耐热温度至少应比环境温度高出 20 K。

IECEx-installation drawing 6333QI02-V2R0

For safe installation of 6333A the following must be observed. The module shall only be installed by qualified personnel who are familiar with the national and international laws, directives and standards that apply to this area. Year of manufacture can be taken from the first two digits in the serial number.

Certificate IECEx DEK 20.0062X

Marking
 Ex nA [ic] IIC T6 ... T4 Gc
 Ex ec [ic] IIC T6 ... T4 Gc
 Ex ic IIC T6 ... T4 Gc
 Ex ic IIIC Dc

Standards IEC 60079-0: 2017, IEC 60079-11: 2011,
 IEC 60079-15: 2010, IEC 60079-7: 2017

Terminal 41,42,43 51,52,53	Terminal 11,12,13 21,22,23	Terminal 11,12,13 21,22,23	Terminal 11,12,13 21,22,23
Ex ic IIC, Ex ic IIIC	Ex ic IIC, Ex ic IIIC	Ex ic IIC, Ex ic IIIC	Ex nA, Ex ec
Uo: 5 V Io: 4 mA Po: 20 mW Lo: 900 mH Co: 1000 µF	Ui = 35 V Ii = 110 mA Ci = 6.2 nF Li = 10 µH	Ui = 24 V Ii = 260 mA Ci = 6.2 nF Li = 10 µH	Umax ≤ 35 VDC or Umax ≤ 24 VDC

Ex ic IIC, Ex ic IIIC Temperature Class	Ambient temperature range	
	Ui=35 V	Ui=24 V
T6	-40°C to +54°C	-40°C to +63°C
T5	-40°C to +69°C	-40°C to +78°C
T4	-40°C to +85°C	-40°C to +85°C

Ex ec, Ex nA Temperature Class	Ambient temperature range	
	Vmax=35 V	Vmax=24 V
T6	-40°C to +43°C	-40°C to +55°C
T5	-40°C to +85°C	-40°C to +85°C
T4	-40°C to +85°C	-40°C to +85°C

Installation notes

If the enclosure is made of non-metallic plastic materials, electrostatic charges on the transmitter enclosure shall be avoided.

If the transmitter is installed in an explosive atmosphere requiring the use of equipment protection level Gc and applied in type of protection Ex ic, the transmitter shall be mounted in an enclosure that provides a degree of protection of at least IP20 according to IEC 60529, and that is suitable for the application and correctly installed.

If the transmitter is installed in an explosive atmosphere requiring the use of equipment protection level Dc, the transmitter shall be mounted in a separately certified enclosure that provides a degree of protection of at least IP5X according to IEC 60079-0, and that is suitable for the application and correctly installed. The surface temperature of the outer enclosure is +20 K above the ambient temperature, determined without a dust layer.
Ambient temperature range: -40°C to +85°C.

If the transmitter is installed in an explosive atmosphere requiring the use of equipment protection level Gc and applied in type of protection Ex nA or Ex ec, the transmitter shall be mounted in a separately certified enclosure that provides a degree of protection of at least IP54 according to IEC 60079-0, and that is suitable for the application and correctly installed.

If the transmitter is installed in an explosive atmosphere requiring the use of equipment protection level Gc and applied in type of protection Ex nA or Ex ec, the equipment shall only be used in an area of not more than pollution degree 2, as defined in IEC 60664-1.

IECEX-installation drawing 6333QI01-V2R0



For safe installation of 6333Bxx the following must be observed. The module shall only be installed by qualified personnel who are familiar with the national and international laws, directives and standards that apply to this area. Year of manufacture can be taken from the first two digits in the serial number.

Certificate IECEX DEK 20.0062X

Marking
 Ex ia IIC T6...T4 Ga
 Ex ia IIIC Db
 Ex ia I Ma

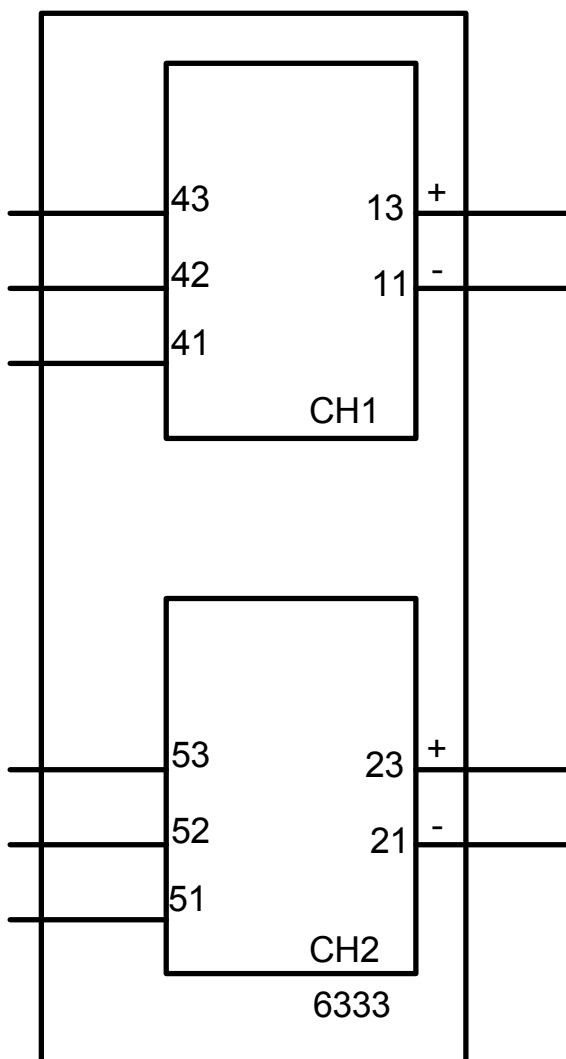
Standards IEC 60079-0: 2017, IEC 60079-11: 2011

Hazardous area
 Zone 0, 1, 2, 21, 22

Non Hazardous Area

**Terminal:
 41,42,43**
 Uo: 30 VDC
 Io: 8 mA
 Po: 60 mW
 Lo: 35 mH
 Co: 60.8 nF

**Terminal:
 51,52,53**
 Uo: 30 VDC
 Io: 8 mA
 Po: 60 mW
 Lo: 35 mH
 Co: 60.8 nF



**Terminal:
 11,13 and
 21,23**
 Ui: 30 VDC
 li: 120 mA
 Pi: 0.84 W or
 Pi: 0.75 W
 Li: 10 μH
 Ci: 6.2 nF

Temperature Class	Ambient temperature range	
	Pi: 0.84 W	Pi: 0.75 W
T6	-40°C to +40°C	-40°C to +45°C
T5	-40°C to +55°C	-40°C to +60°C
T4	-40°C to +85°C	-40°C to +85°C

Installation notes

If the enclosure is made of non-metallic plastic materials, electrostatic charges on the transmitter enclosure shall be avoided.

If the transmitter is installed in an explosive atmosphere requiring the use of equipment protection level Ga, the transmitter shall be mounted in an enclosure that provides a degree of protection of at least IP20 according to IEC 60529, and that is suitable for the application and correctly installed.

If the transmitter is installed in an explosive atmosphere requiring the use of equipment protection level Ga or Ma, and if the enclosure is made of aluminum, it must be installed such, that ignition sources due to impact and friction sparks are excluded.

If the transmitter is installed in an explosive atmosphere requiring the use of equipment protection level Db, the transmitter shall be mounted in a separately certified enclosure that provides a degree of protection of at least IP5X according to IEC 60079-0, and that is suitable for the application and correctly installed. The surface temperature of the outer enclosure is +20 K above the ambient temperature, determined without a dust layer.
Ambient temperature range: -40°C to +85°C.

If the transmitter is installed in an explosive atmosphere requiring the use of equipment protection level Ma, the transmitter shall be mounted in an enclosure that provides a degree of protection of at least IP54 according to IEC 60529, and that is suitable for the application and correctly installed.
Ambient temperature range: -40°C to +85°C.

Cable entries and blanking elements shall be used that are suitable for the application and correctly installed.

For an ambient temperature $\geq 60^\circ\text{C}$, heat resistant cables shall be used with a rating of at least 20 K above the ambient temperature.

CSA Installation drawing 6333QC02-V2R0

For safe installation of the single channel 6333A1A or the two channel 6333A1B the following must be observed. The module shall only be installed by qualified personnel who are familiar with the national and international laws, directives and standards that apply to this area.

Marking

Class I, Division 2, Group A,B,C,D T6...T4

Ex nA[ic] IIC T6...T4

Class I Zone 2 AEx nA[ic] IIC T6...T4

T4: -40°C to 85 °C

T6: -40°C to 60 °C

Hazardous Area

CL I, Div 2, GP ABCD

CL I, Zone 2, IIC

Terminal: 41,42,43,44

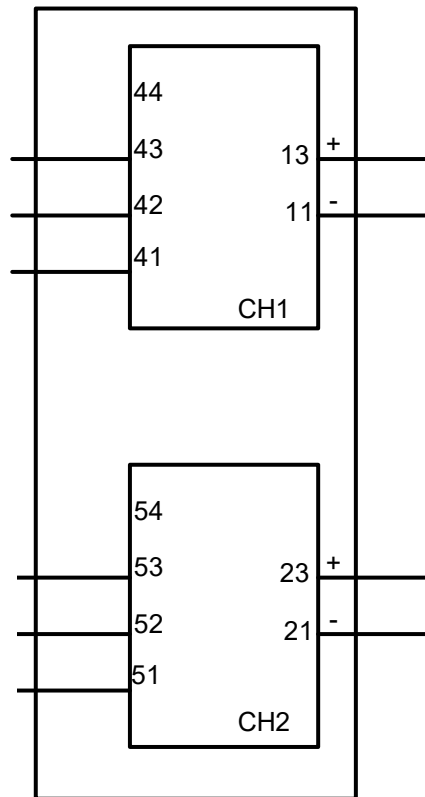
Uo: 5 VDC

Io: 4 mA

Po: 20 mW

Lo: 900 mH

Co: 1000 µF



Terminal:

11-13

Functional Ratings:

U nominal ≤ 35 VDC;

I nominal ≤ 3.5 - 23 mA

Terminal:

51,52,53,54

Uo: 5 VDC

Io: 4 mA

Po: 20 mW

Lo: 900 mH

Co: 1000µF

Terminal:

21-23

Functional Ratings:

U nominal ≤ 35 VDC;

I nominal ≤ 3.5 - 23 mA

NI Installation instructions

The transmitter must be installed in an enclosure providing a degree of protection of at least IP54 according to IEC60529 that is suitable for the application and is correctly installed. Cable entry devices and blanking elements shall fulfill the same requirements. If the enclosure is made of non-metallic materials or of painted metal, electrostatic charging shall be avoided.

Use supply wires with a rating of at least 5 K above the ambient temperature.
Supply from a Class 2 Power Supply with Transient protection or equivalent.

WARNING: Substitution of components may impair suitability for Class I, Division 2
AVERTISSEMENT: la substitution de composants peut nuire à l'aptitude à la Classe I, Division 2.

WARNING: Do not disconnect equipment unless power has been switched off or the area is known to be safe.

AVERTISSEMENT: Ne débranchez pas l'équipement sauf si l'alimentation a été coupée ou si la zone est connue pour être sûre.

Non Incendive field wiring installation

The non incendive field Wiring Circuit concept allows interconnection of Nonincendive Field wiring Apparatus with Associated Nonincendive Field Wiring Apparatus or Associated Intrinsically Safe Apparatus or Associated Apparatus not specially examined in combination as a system using any of the wiring methods permitted for unclassified locations,

$V_{oc} < V_{max}$, $C_a \geq C_i + C_{cable}$, $L_a \geq L_i + L_{cable}$.

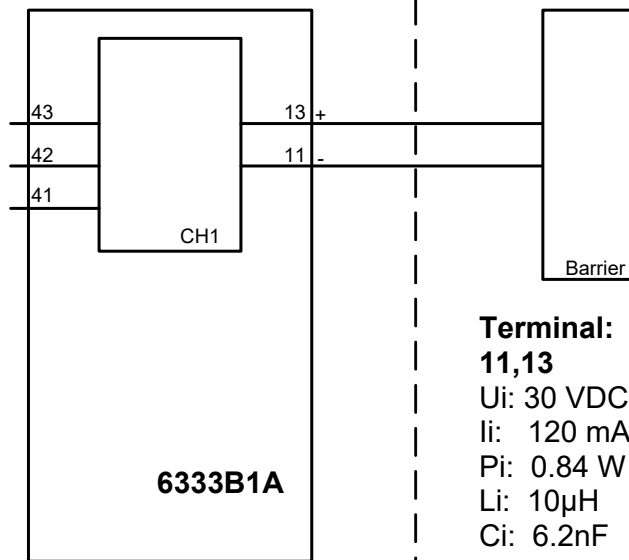
CSA Installation drawing 6333QC01-V1R0

Hazardous (Classified) Location
 IS,Class I, Division 1, Group A,B,C,D T4..T6
 Ex ia IIC T4..T6 Ga
 Class I, Zone 0, AEx ia IIC T4..T6 Ga

Non Hazardous Location

T6: $-40 \leq T_a \leq 60^\circ\text{C}$
 T4: $-40 \leq T_a \leq 85^\circ\text{C}$

Terminal: 41,42,43
 Connect to passive
 or non-energy
 storing devices
 such as RTD's
 Resistors and
 Thermocouples
 only.



**Terminal:
 11,13**
 U_i: 30 VDC
 I_i: 120 mA
 P_i: 0.84 W
 L_i: 10μH
 C_i: 6.2nF

$C_o(C_a) > \sum(C_i+C_{cable})$
 $L_o(L_a) > \sum(L_i+L_{cable})$

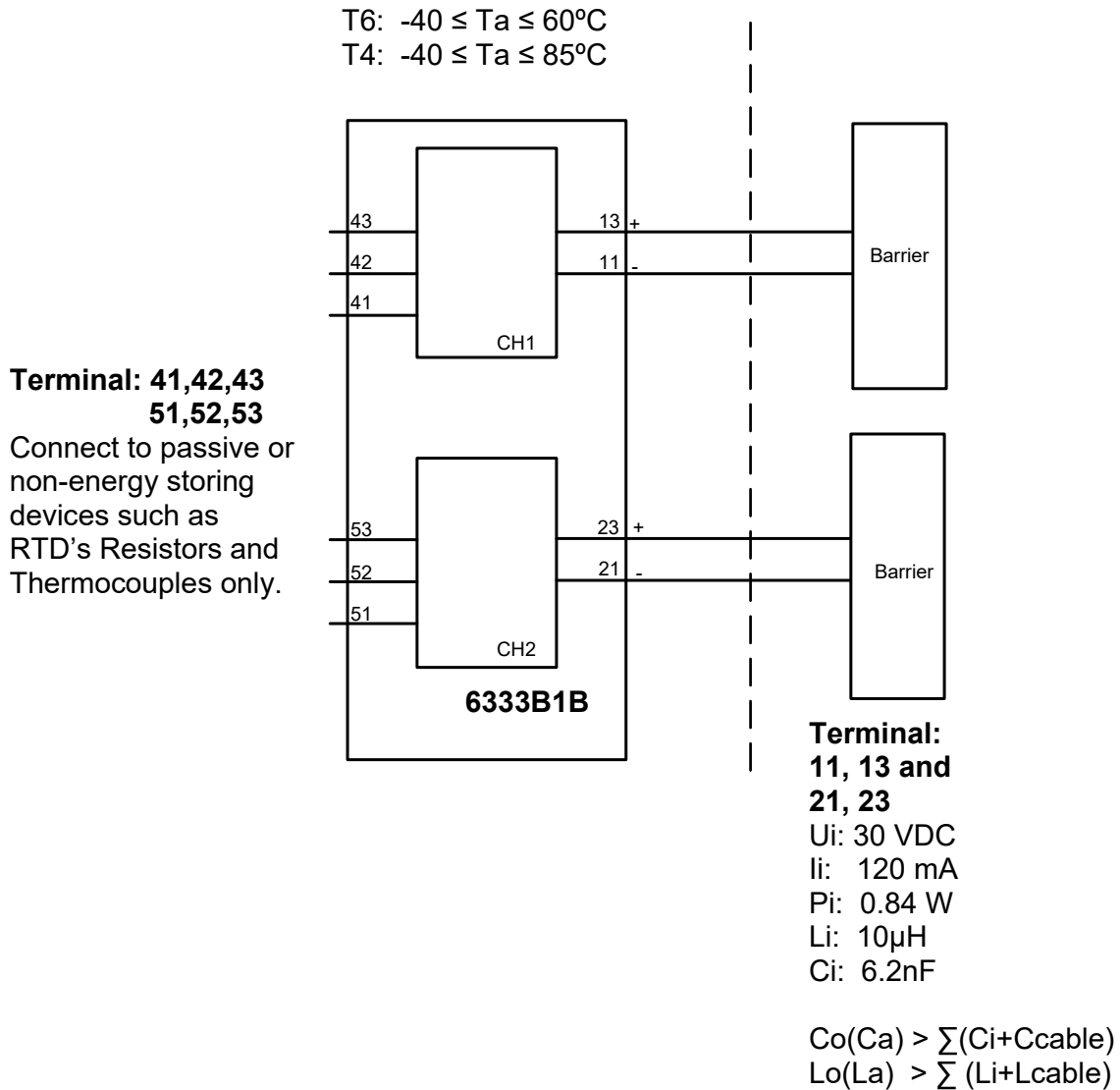
Installation notes

The Transmitter must be installed in a suitable enclosure to meet installation codes stipulated in The Canadian Electrical Code (CEC).

Substitution of components may impair intrinsic safety.

Hazardous (Classified) Location
 IS, Class I, Division 1, Group A,B,C,D T4..T6
 Ex ia IIC T4..T6 Ga
 Class I, Zone 0, AEx ia IIC T4..T6 Ga

Non Hazardous Location



Installation notes

The Transmitter must be installed in a suitable enclosure to meet installation codes stipulated in The Canadian Electrical Code (CEC).

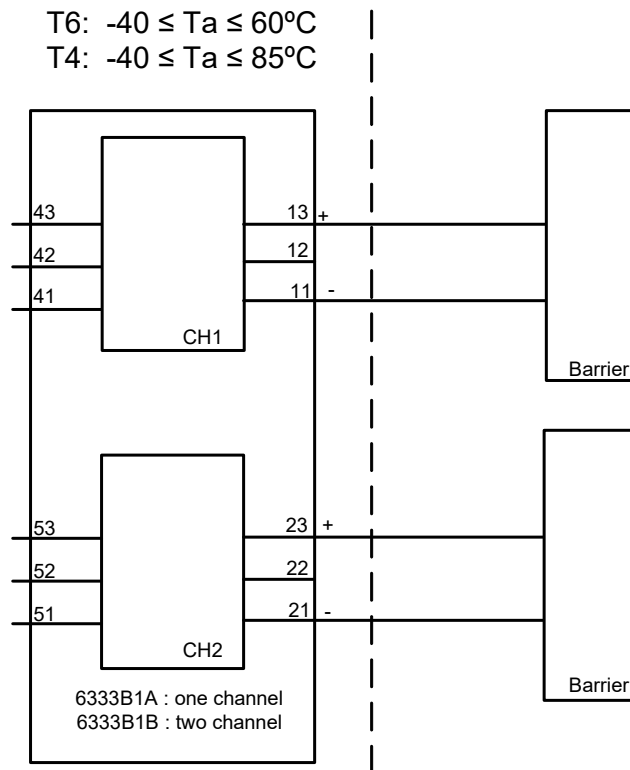
Channel 1 and Channel 2 are separate channels and therefore separate shielded cables shall be used for each channel.

Substitution of components may impair intrinsic safety.

FM Installation drawing 6333QF01-V1R0

Hazardous (Classified) Location
 Class I, Division 1, Group A,B,C,D T4..T6
 Class I, Zone 0, AEx ia IIC T4..T6

Non Hazardous Location



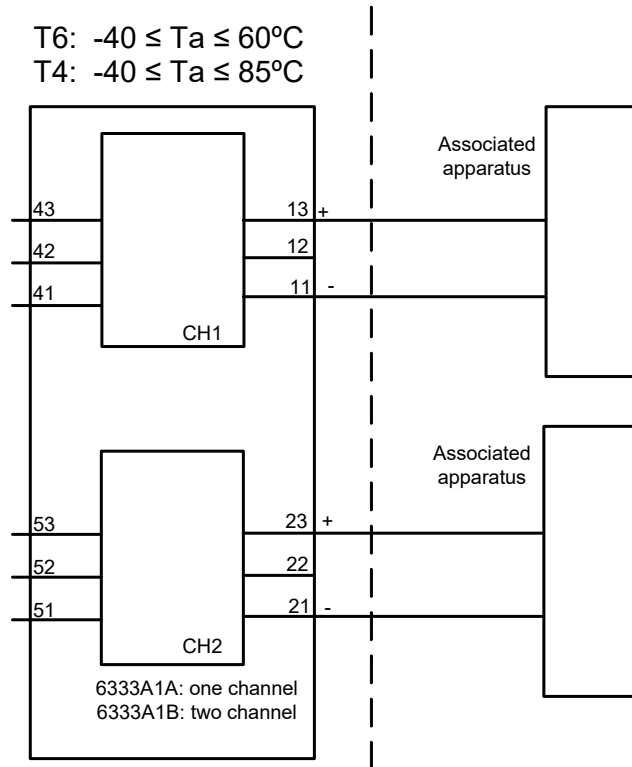
Installation notes

For installation in Class I the Transmitter must be installed in a suitable enclosure to meet installation codes stipulated in The National Electrical Code (ANSI-NFPA 70). Equipment that is FM-approved for intrinsic safety may be connected to barriers based on the Entity Concept. This concept permits interconnection of approved transmitters, meters and other devices in combinations, which have not been specifically examined by FM, provided that the agency's criteria are met. The combination is then intrinsically safe, if the entity concept is acceptable to the authority having jurisdiction over the installation.

The entity concept criteria are as follows: The intrinsically safe devices, other than barriers, must not be a source of power. The maximum voltage $U_i(V_{MAX})$ and current $i_i(I_{MAX})$, and maximum power $P_i(P_{max})$, which the device can receive and remain intrinsically safe, must be equal to or greater than the voltage (U_o or V_{OC} or V_t) and current (I_o or I_{SC} or I_t) and the power P_o which can be delivered by the barrier. The sum of the maximum unprotected capacitance (C_i) for each intrinsically device and the interconnecting wiring must be less than the capacitance (C_a) which can be safely connected to the barrier. The sum of the maximum unprotected inductance (L_i) for each intrinsically device and the interconnecting wiring must be less than the inductance (L_a) which can be safely connected to the barrier. The entity parameters U_o , V_{OC} or V_t and I_o , I_{SC} or I_t , and C_a and L_a for barriers are provided by the barrier manufacturer.

Hazardous (Classified) Location
 Class I, Division 2, Group A,B,C,D T4..T6
 Class I, Zone 2, IIC T4..T6

Non Hazardous Location



Installation notes

The Transmitter must be installed in a suitable enclosure to meet installation codes stipulated in The National Electrical Code (ANSI-NFPA 70).

To assure a Non-Incendive system the transmitter and associated apparatus must be wired in accordance with the associated apparatus manufacturers field wiring instructions and the circuit diagram shown above.

文档更新记录

以下列表提供了有关本文档修订的说明。

版本号	日期	说明
104	1543	添加 CSA、FM 和 IECEx 认证。
105	2015	添加了有关最大需用功率的规格。 新 FM 证书。
106	2231	获得 6333A 的 CSA 认证。添加安装图。 ATEX和IECEx认证已更新 - Ex na 更改为 Ex ec。
107	2307	更新 6333A CSA 安装图。 添加了 UKCA。

无论您身在何处， 我们始终在您身边

无论您身在何处，都将获得我们标志性红色模块的全力支持

我们所有的设备都提供权威的专家服务，且享受长达五年的质量保证。您购买的每款产品都将获得个性化的技术支持和指导，按时交货，保修期内免费维修，丰富的技术文档等服务。

我们的总部在丹麦，我们在世界各地设有办事处并在全球创建授权合作伙伴关系。我们能在全球范围内为您提供本地化

服务。这意味着我们总是伴随在您身边，并且非常了解当地市场。

我们致力于打造高客户满意度产品，并将 PERFORMANCE MADE SMARTER 这一理念传向世界。

了解更多有关我们的保修计划，或想与您所在地区的销售代表会面，请访问 prelectronics.com。

让 PERFORMANCE MADE SMARTER 助您一臂之力

PR electronics 是一家行业领先的、专注于使过程控制更加安全、可靠和高效的技术型公司。自 1974 年以来，我们一直致力于高精度-低功耗型核心技术的开发。秉承这种精神，我们不断地为产品设置新的标准，如此这般才能够在客户的过程测量点与其过程控制系统之间进行通信、监控和连接。

我们的创新专利技术来源于大量的研发设施以及对客户需求和工艺过程的深刻理解。简约、专注、勇气、卓越是我们的座右铭。这指引着我们不断帮助一些世界上最大的公司实现更卓越的智能化 (PERFORMANCE MADE SMARTER)。